

# KOHDEVALAISTUS KISKOVALAISIN

LUMI  
SOLUTIONS



WINNER 2 SERIES | CRI RA90  
**HYR-W230B**



**PHILIPS**

LED Chip brand

**CE driver**

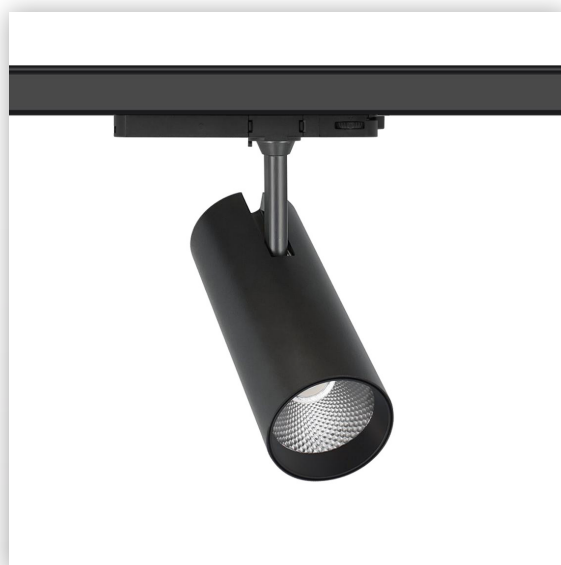
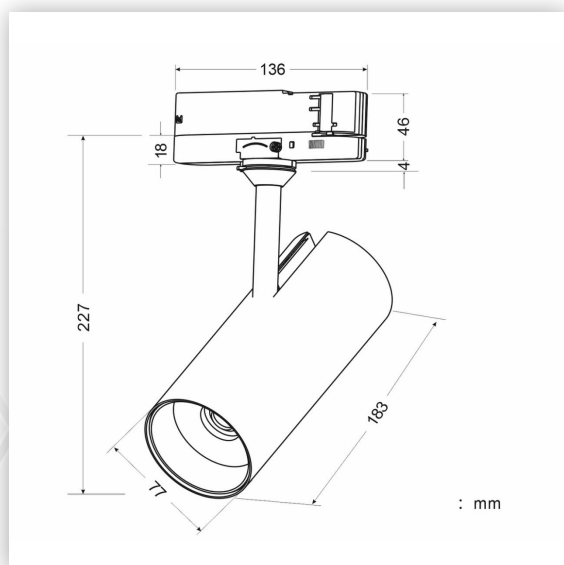
LED Driver brand

**CE**

Mounting Options



4 wire( 3-Phase)



# KOHDEVALAISTUS KISKOVALAISIN

LUMI  
SOLUTIONS



## WINNER 2 SERIES | CRI RA90 HYR-W230B

### Product description

LED Track light 30W

High CRI,3000K/4000K Ra>90, 5000K Ra>80

Beam angle 15°/24°/ 36°/50° for narrow angle and flood angle options

Indoor lighting

### Technical data

Model number:	HYR-W230B
Load wattage:	30W
Input voltage:	220~240V~50/60Hz
Power factor	>0.9
Beam angle	15°/24°/ 36°/50° optional
Luminous flux:	2500lm (±200)
Color temperature	3000K/4000K/5000K
Colour rendition index	CRI ≥90
Adapter	4-wire
Dimmable Options	NO-DIM
Weight	0.77kg
Main materials	aluminum
Color finishing	white or black
Working temperature	(-20~40 °C)
Storage temperature	(-20~80 °C)
Lifespan	50000 hrs
Certificates	CE-EMC, CE-LVD, RoHS
Warranty	5 years
Test report:	IES file/ spectrum chart