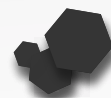


KOHDEVALAISTUS

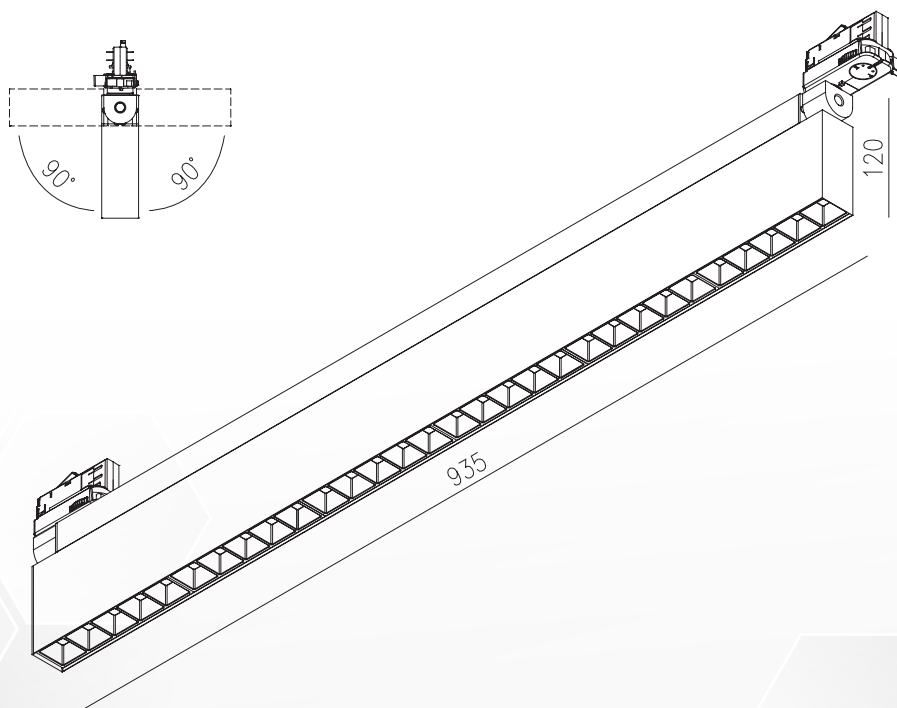
QUATTRO TRACK

LUMI
SOLUTIONS



KISKOVALAISIN

DDC-65530



KOHDEVALAISTUS

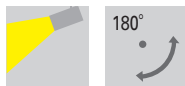
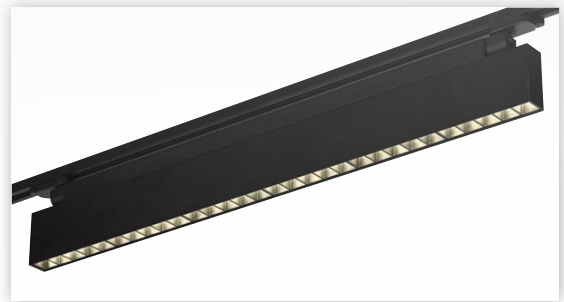
QUATTRO TRACK

LUMI
SOLUTIONS

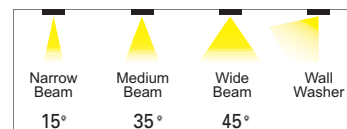


KISKOVALAISIN
DDC-65530

TYPE OF LED : POWER LED



[Beam Angle of LENS]



DDC-65530

HOUSING

AL Extrude, Electrostatic Powder Coating
Adjustable Angle (Tilt \angle 180°)

OPTION

Wireless Control (Bluetooth Module)

TYPE OF LED

POWER LED

INPUT VOLTAGE

220-240V AC , 50-60Hz

COLOR TEMPERATURE (K)	INPUT POWER (W)	OUTPUT POWER (W)	SYSTEM EFFICIENCY (lm/w)	LUMINOUS FLUX (lm)	OUTPUT VOLTAGE (nominal)	COLOR RENDERING INDEX_CRI	OUTPUT CURRENT (mA)
○ 4,000K	73W	62W	77 lm/w	5,588 lm	30V DC x 3	80	700mA DC x 3

OPERATING TEMPERATURE RANGE

-20 to +40 °C

MAINTENANCE OF LUMEN -L70

50,000 hours at 25 °C

COLOR RENDERING INDEX

80, 90

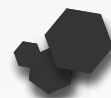
COLOR TEMPERATURE

○ 5,000K ○ 4,000K ● 3,000K

KOHDEVALAISTUS

QUATTRO TRACK

LUMI
SOLUTIONS



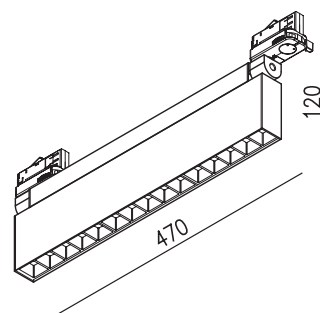
KISKOVALAISIN

DDC-65510

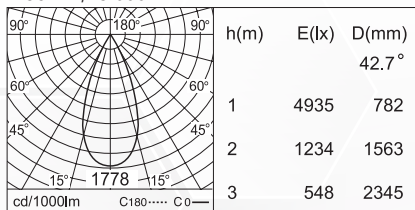


DDC-65510

POWER LED (15 LED) 36 W



* 36 W / 3 000 K

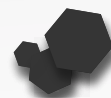


1.6 kg

KOHDEVALAISTUS

QUATTRO TRACK

LUMI
SOLUTIONS



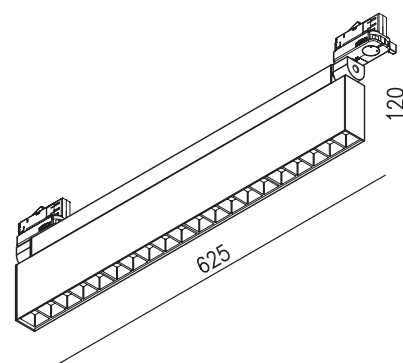
KISKOVALAISIN

DDC-65520

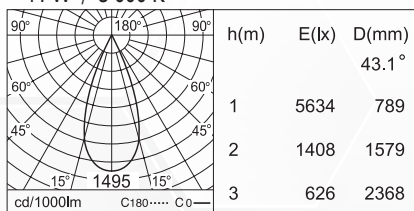


DDC-65520

POWER LED (20 LED) 41 W



* 41 W / 3 000 K

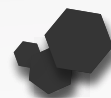


2.0 kg

KOHDEVALAISTUS

QUATTRO TRACK

LUMI
SOLUTIONS



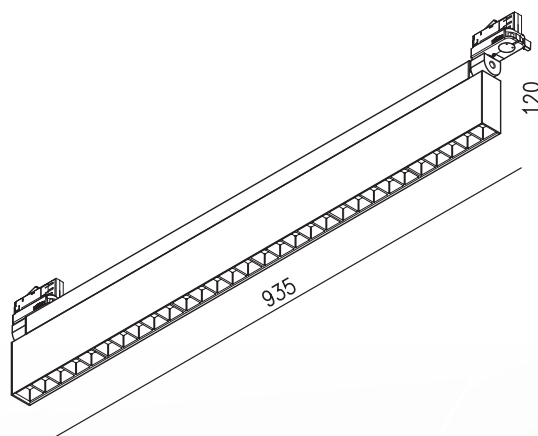
KISKOVALAISIN

DDC-65530

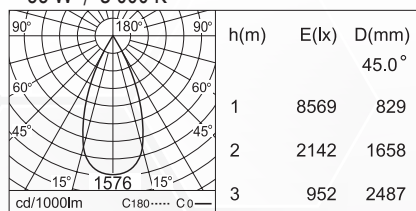


DDC-65530

POWER LED (30 LED) 66 W



* 66 W / 3 000 K



2.6 kg