

# INTEGRATED TUBE SINGLE T5 TUBE



7W / 12W / 15W / 20W / 22W / 30W  
**AC 100-277V / AC 100-240V 50/60HZ**

## PRODUCT DESCRIPTION

Size: 570mm / 876mm / 1180 / 1481mm / 1746mm / 2356mm

Wattages: 7w 12w 15w 20w 22w 30w

CCT: 3000K 4000K 5000K 6000K 6500K

Input Voltage: AC100-277V / AC100-240V  
50/60Hz

## APPLICATIONS

Replaces fluorescent NCF fittings

- warehouses
- factories
- food storage
- shopping malls
- gymnasium
- sport facilities
- kitchens
- car parks



## Technical Specifications

Input Voltage	AC100-277V 50/60Hz
Total harmonic distortion	THD<19%
Power Factor	PF>0.95
Efficiency	110-130LM/W
Color Index	Ra>82
Switching Time	100,000
Lumen maintenance @6000h	>80%
Operation Temperature	-10°C ~ +50°C
UGR	<19
Life Span	50,000 hours
CCT	3000K,4000K,5000K,6000K
Material	Aluminum + PC

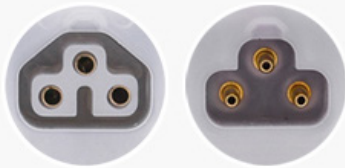
# INTEGRATED TUBE SINGLE T5 TUBE



7W / 12W / 15W / 20W / 22W / 30W  
**AC 100-277V / AC 100-240V 50/60HZ**



Flicker free, PF>0.95, Overload  
and short circuit protection



3 Pin Male-female Connection



## SINGLE T5 INTEGRATED TUBE

Single T5 integrated light with high-efficiency light engine for long life and excellent color to ensure the quality of the lighting. It can be connected to an optional cable or connector.

## FEATURES

- One-piece Aluminum chassis
- Patent Male-female linkable design
- Seamless & No Dark in-line connection
- UL ETL TUV SAA approved, DLC Listed
- 0.8 mm aluminum housing for excellent heat dissipation
- Universal mounting standard.

# INTEGRATED TUBE SINGLE T5 TUBE



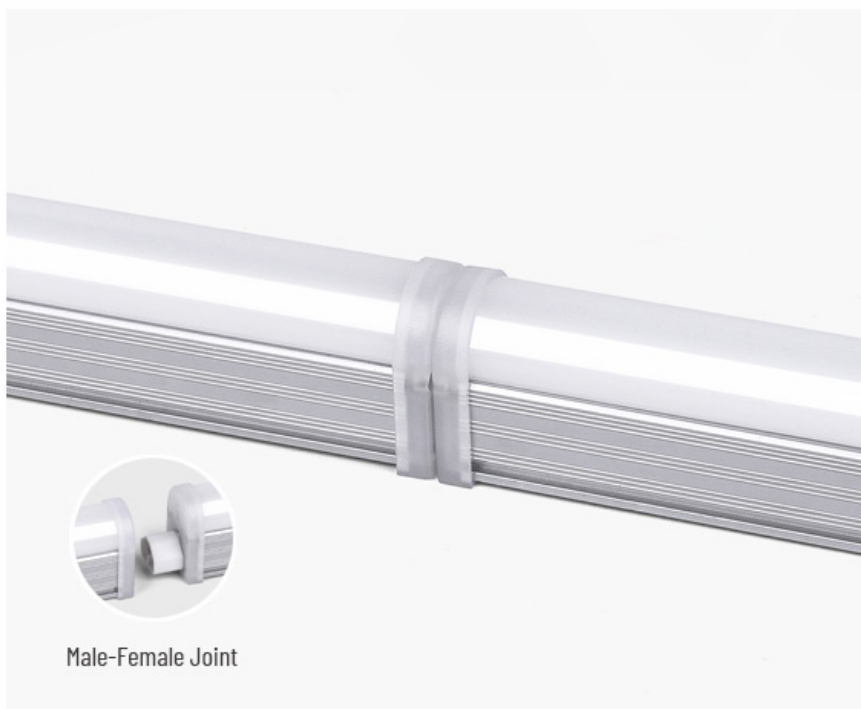
7W / 12W / 15W / 20W / 22W / 30W  
**AC 100-277V / AC 100-240V 50/60HZ**



0.25M Linkable Cable



0.25M Lead in Wire



Male-Female Joint

## Specifications

Model	Length	Power	Led type	Lumens (lm) ±10%	Package
LY-T5DL300-4W	1ft/300mm	4W	SMD2835	440 - 480	490*175*230 (mm) 25pcs/ctn
LY-T5DL600-7W	2ft/600mm	7W	SMD2835	770 - 840	780*175*230 (mm) 25pcs/ctn
LY-T5DL900-12W	3ft/900mm	12W	SMD2835	1320 - 1440	1085*175*230 (mm) 25pcs/ctn
LY-T5DL1200-15W	4ft/1200mm	15W	SMD2835	1650 - 1800	1390*175*230 (mm) 25pcs/ctn
LY-T5DL1500-20W	5ft/1500mm	20W	SMD2835	2200 - 2400	1690*175*230 (mm) 25pcs/ctn
LY-T5DL1800-22W	6ft/1800mm	22W	SMD2835	2420 - 2640	1950*175*190 (mm) 20pcs/ctn
LY-T5DL2400-30W	8ft/2400mm	30W	SMD2835	3300 - 3600	2565*175*145 (mm) 15pcs/ctn

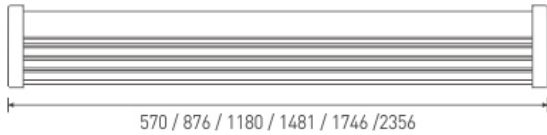
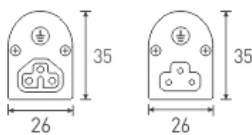
# INTEGRATED TUBE SINGLE T5 TUBE



7W / 12W / 15W / 20W / 22W / 30W  
**AC 100-277V / AC 100-240V 50/60HZ**

## OPTIONS

Functions: Standard Version / Triac Dimmable Version / ON-OFF Switch  
 Connection Way: Lead in wire / M-F Connection / Power cord with Plug  
 Installation Type: Standard Clip / Magnetic Clip / Suspending Kits  
 Cover: Milky / Clear



Male-Female Joint



Connecting Cable



Power Supply Cable

