

PINTA-ASENNETTAVA

ALUMIINIPIROFIILI

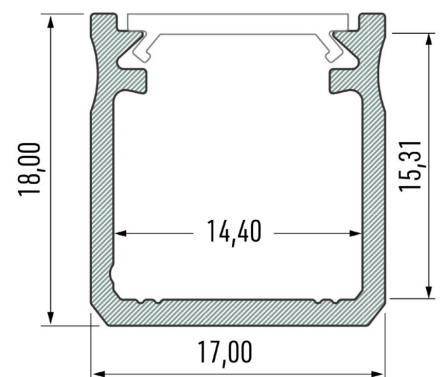


LUMILINE Y SURFACE MOUNTED PROFILE

Lumiline Y aluminium profile for surface-mounting. Perfect for household and office room illumination - lighting of columns, countertops. This is an innovative product on the lighting market. One of the most minimalist and modern designs. The extremely interesting and modern design of the Y LUMILINE SLIM profile allows us to meet the needs of our customers in the use of LED strips for the creation of light lines.



Thanks to the increased dimensions of the profile's side walls, we can obtain a uniform and more targeted light without visible LEDs (with the use of the milky cover). The profile retains the impression of a discreet fixture for LED strips and is perfectly suited for decorative backlighting in furniture and interior decorations..



LED STRIP WIDTH:

up to 12 mm

COLOR VARIATIONS:

- nonanodized,
- anodized silver,
- anodized black,
- anodized inox,
- lacquered white (RAL9016)

COVERS (diffusers):

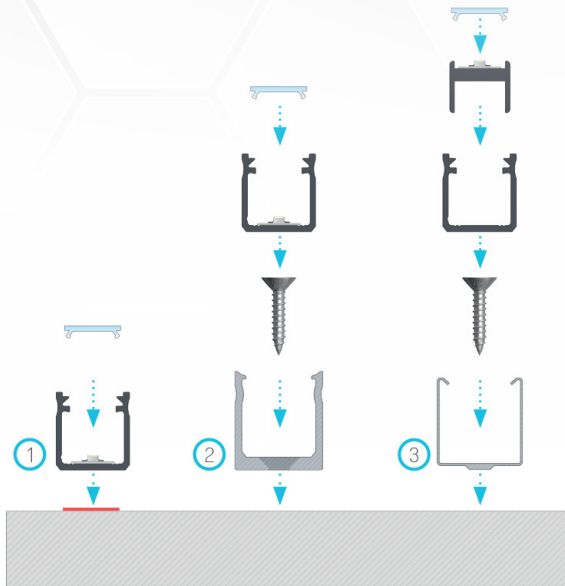
- BASIC
- * transparent (PMMA/PC),
- * frozen (PMMA/PC),
- * milky (PMMA/PC),
- * frosted (PMMA),
- * milky frosted (PMMA),
- * lens 15 (PMMA),
- * lens 30 (PMMA),
- * black (PMMA)

Mounted from the top. snap-on.

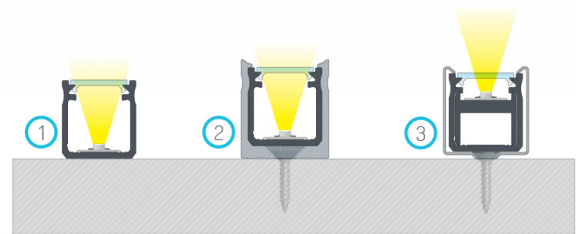
PINTA-ASENNETTAVA ALUMIINIPIROFIILI



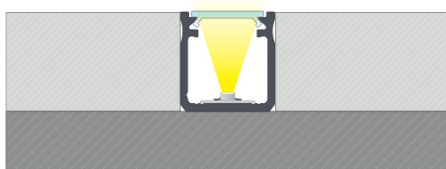
INSTALLATION DIAGRAMS



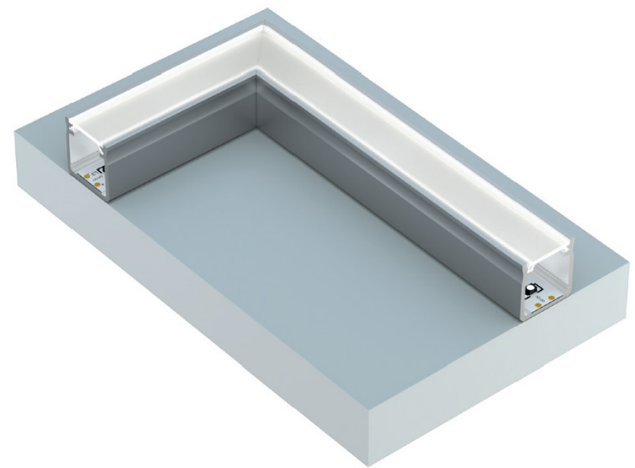
Installation instructions for profile Y with a BASIC cover using (1) a double-sided tape, (2) a mounting clip Y, (3) an assembly profile Y M1 and a metal mounting clip Y.



The result of installation of profile Y with BASIC cover, using (1) a double-sided tape, (2) a mounting clip Y, (3) an assembly profile Y M1 and a metal mounting clip Y.



The end result of installation of recessed profile Y with BASIC cover between two plasterboards.

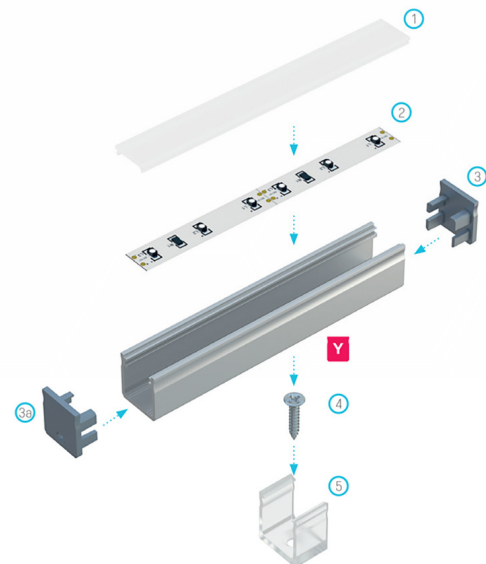
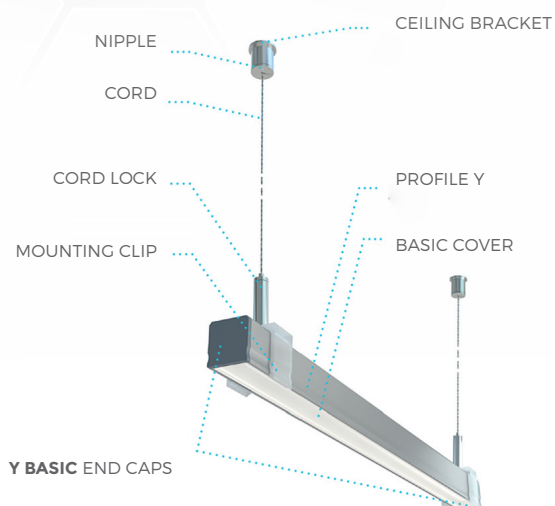


Connecting profiles Y with a BASIC cover at 90 degrees.

PINTA-ASENNETTAVA ALUMIINIIPROFIILI



INSTALLATION DIAGRAMS



Assembly scheme for elements of the lighting system using profile Y and (1) a BASIC cover, (2) a LED strip, (3) an end cap without hole, (3a) an end cap with hole, (4) a mounting screw, (5) a mounting clip Y.

END CAPS:

aluminium or plastic caps with or without a hole in 5 color variations (white, black, inox, silver, gray)

MOUNTING:

two-sided adhesive tape,
mounting clip,
assembly profile Y M1,
pendants

MOUNTING PROFILE:

assembly profile Y M1

MOUNTING CLIPS:

mounting clip Y,
metal mounting clip Y

OTHER ACCESSORIES:

hinge,
contactless switch,
pendants

Profile is sold in standard lengths: 1000 mm, 2020 mm, 3000 mm.

There is a possibility of cutting the profiles to any size.