

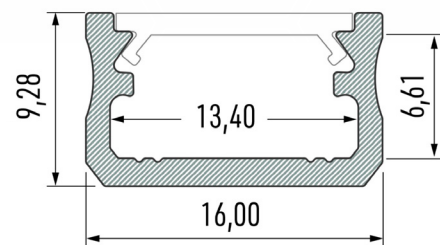
PINTA-ASENNETTAVA

ALUMIINIIPROFIILI



LUMILINE A SURFACE MOUNTED PROFILE

Lumiline A is a surface-mounted profile - for decorative lighting in offices and homes. The small height of this profile and the flat cover (mounted from the top with a snap-on) give the impression of a very discreet fixture for LED strips and tapes. It is perfectly suited for use as an element of decorative backlights in furniture and interior decorations.



LED STRIP WIDTH:

up to 12 mm

COLOR VARIATIONS:

- nonanodized,
- anodized silver,
- anodized black,
- anodized inox,
- lacquered white (RAL9016)

MOUNTING:

two-sided adhesive tape,
mounting clip, pendants

Profile is sold in standard lengths:
1000 mm, 2020 mm, 3000 mm.

There is a possibility of cutting
the profiles to any size.

COVERS (diffusers):

- BASIC
- * transparent (PMMA/PC),
- * frozen (PMMA/PC),
- * milky (PMMA/PC),
- * frosted (PMMA),
- * milky frosted (PMMA),
- * lens 15 (PMMA),
- * lens 30 (PMMA),
- * black (PMMA)

- HIGH

- * transparent (PMMA),
- * frozen (PMMA),
- * milky (PMMA),
- * frosted (PMMA),
- * milky frosted (PMMA),
- * black (PMMA)

Mounted from the top, snap-on.

END CAPS:

aluminium or plastic caps with
or without a hole in 5 color
variations (white, black, inox,
silver, gray)

MOUNTING CLIPS:

mounting clip A MINI,
mounting clip A,
mounting clip A HIGH,
metal mounting clip A,
angled mounting clip A

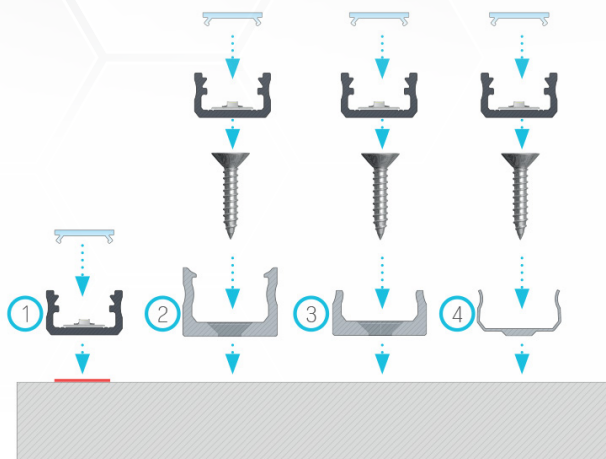
OTHER ACCESSORIES:

hinge,
contactless switch,
pendants

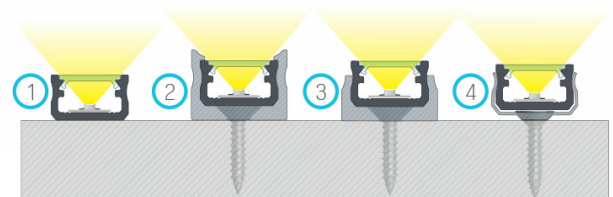
PINTA-ASENNETTAVA ALUMIINI-PROFIILI



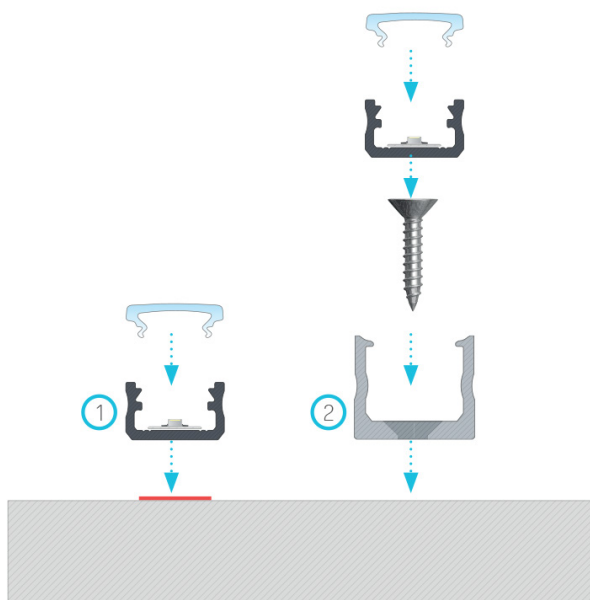
INSTALLATION DIAGRAMS



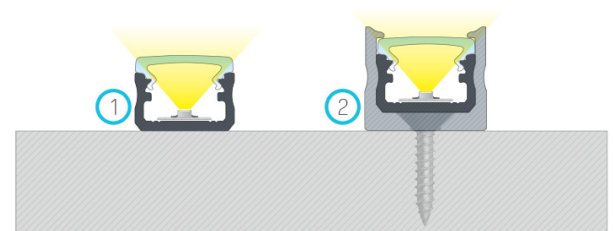
Installation manual for A profile with BASIC cover, (1) with double-sided tape, (2) with a mounting clip for A, (3) with A MINI mounting clip, (4) with metal mounting clip A



The result of installation of profile A with BASIC cover, (1) with double-sided tape, (2) with a mounting clip for A, (3) with A MINI mounting clip, (4) with metal mounting clip for A



Installation manual for A profile with BASIC cover, (1) with double-sided tape, (2) with a mounting clip for A, (3) with A MINI mounting clip, (4) with metal mounting clip A

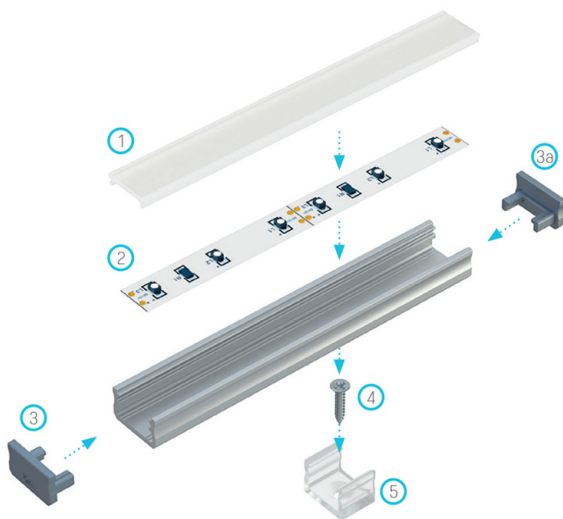
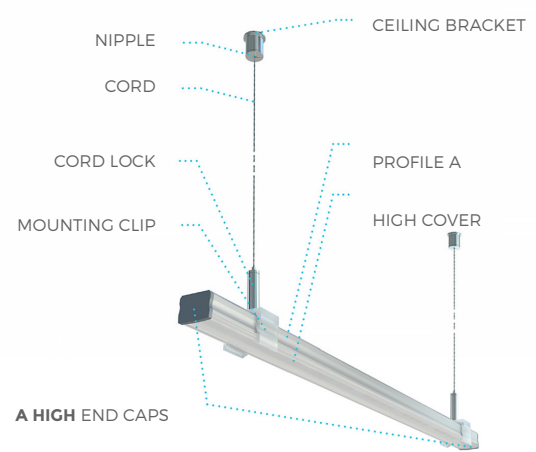
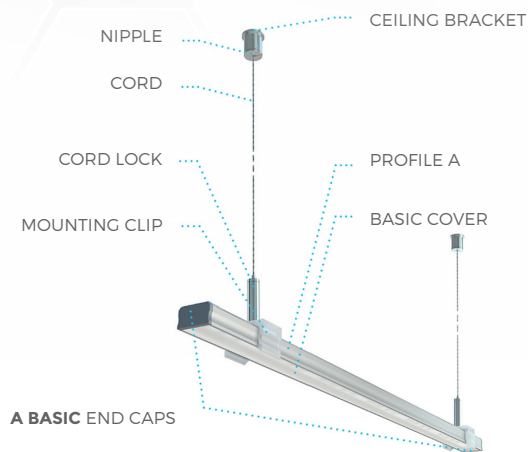


The result of installation of profile A with BASIC cover, (1) with double-sided tape, (2) with a mounting clip for A, (3) with A MINI mounting clip, (4) with metal mounting clip for A

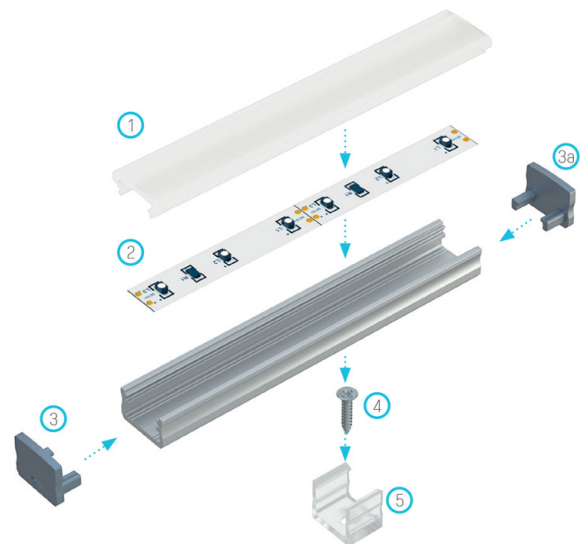
PINTA-ASENNETTAVA ALUMIINIPROFIILI



INSTALLATION DIAGRAMS



Assembly scheme for elements of the lighting system using a profile A and (1) a BASIC cover, (2) a LED strip, (3) an end cap with hole, (3a) an end cap without hole, (4) a mounting screw, (5) a MINI mounting clip for profile A.



Assembly scheme for elements of the lighting system using a profile A and (1) a HIGH cover, (2) a LED strip, (3) an end cap with hole, (3a) an end cap without hole, (4) a mounting screw, (5) a mounting clip High for profile A.