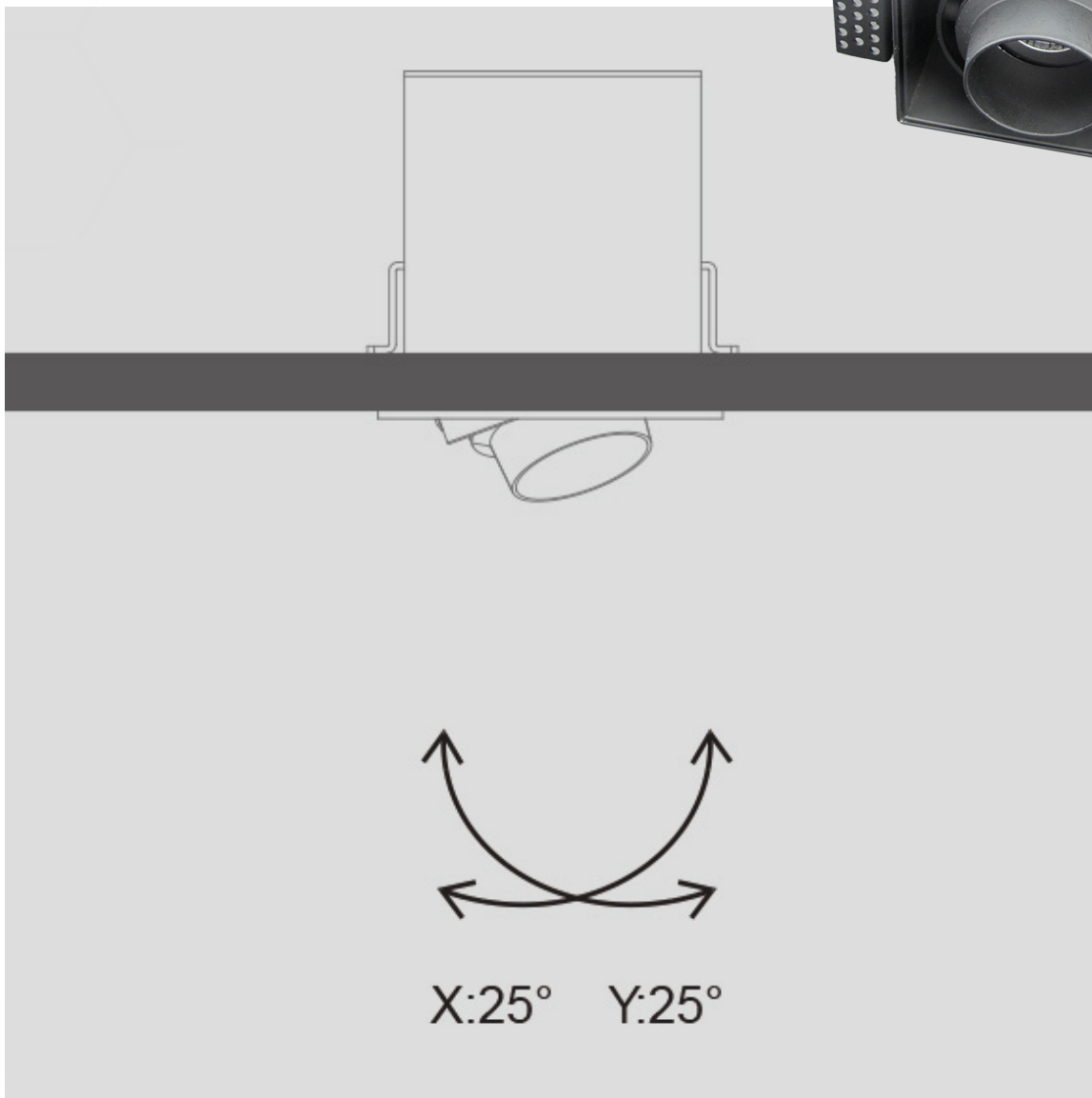


UPOTETTAVA ALASVALO



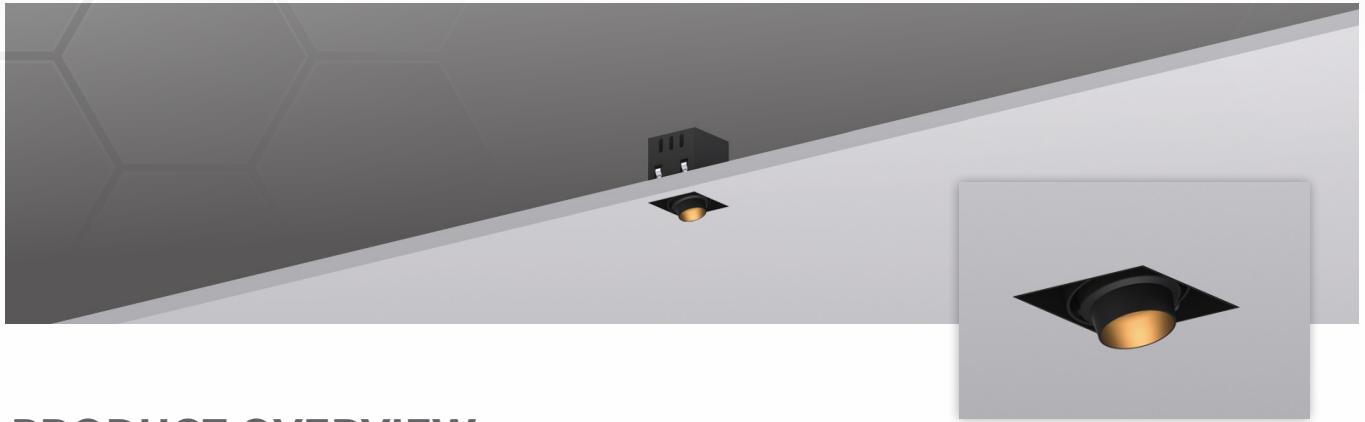
MODEL LUMI_W-2661_LED SPOTLIGHTS



SPECIAL FEATURES

The cardan recessed downlights are in a contemporary design which is made of high-quality die-cast aluminum and stable sheet steel, with two versions of traditional and LED available, customers are able to choose the right one to fit project needs.

UPOTETTAVA ALASVALO



PRODUCT OVERVIEW

General

- Indoor
- The cardan LED spotlight
- Recessed mounted
- Version: Trimless
- Reflector: Black,White
- Control Gear: Remote
- Material: Aluminum
- IP20

LED

- 8W, 12W
- 2700K, 3000K, 4000K
- CRI \geq 90, CRI \geq 80
- 50000h@L80
- SDCM: $<$ 3

Optics

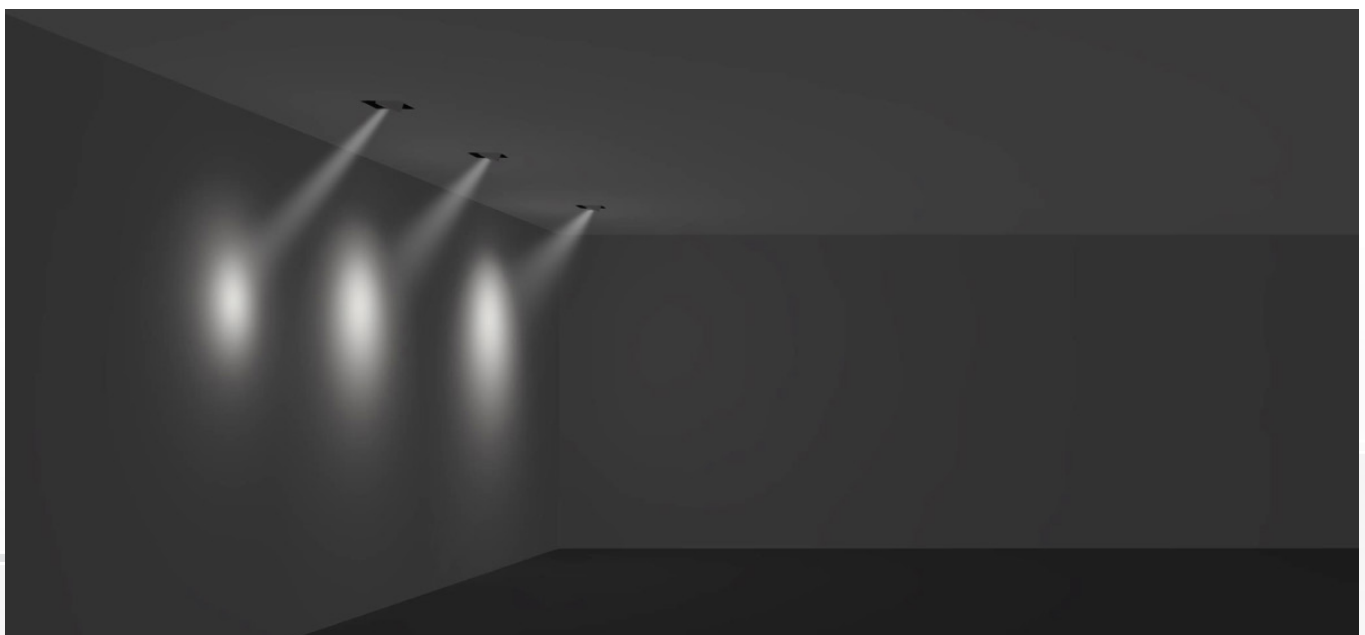
- 15°, 24°, 40°
- UGR $<$ 13

Electric

- NON-DIM
- PHASE
- 1-10V
- DALI
- Bluetooth



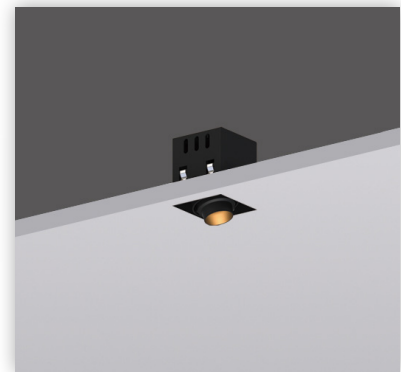
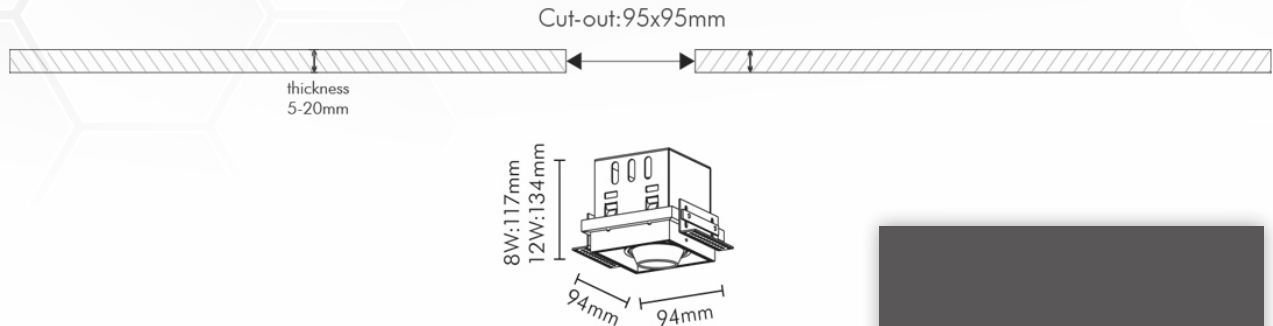
RoHS



UPOTETTAVA ALASVALO



TECHNICAL DRAWING



PRODUCT DETAILS

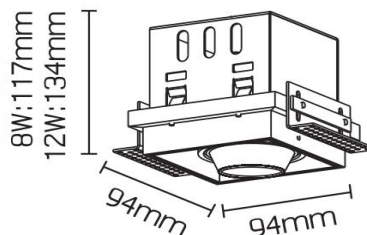
POWER	CCT	BEANGANGLE
8W 12W	2700K 3000K	15° 24° 40°

POWER	VF	CURREN	CRI	CCT	BEANGANGLE	LUMINOUSFLUX	IP
8W	31V	250mA	≥90	2700K	15°	638 lm	IP20
8W	31V	250mA	≥90	2700K	24°	580 lm	IP20
8W	31V	250mA	≥90	2700K	40°	543 lm	IP20
8W	31V	250mA	≥90	3000K	15°	671 lm	IP20
8W	31V	250mA	≥90	3000K	24°	636 lm	IP20
8W	31V	250mA	≥90	3000K	40°	648 lm	IP20
12W	31V	350mA	≥90	2700K	15°	813 lm	IP20
12W	31V	350mA	≥90	2700K	24°	756 lm	IP20
12W	31V	350mA	≥90	2700K	40°	763 lm	IP20
12W	31V	350mA	≥90	3000K	15°	878 lm	IP20
12W	31V	350mA	≥90	3000K	24°	825 lm	IP20
12W	31V	350mA	≥90	3000K	40°	847 lm	IP20

UPOTETTAVA ALASVALO



DATASHEET / TECHNICAL SPECIFICATION



COMPLIANCE
AS/NZS 60598



PHYSICAL CHARACTERISTICS

INSTALLATION	Recessed	ROTATION	N/A
DRIVER	Remote	IP-RATING	IP20
CUT-OUT SIZE	L95mm x W95mm	IK-RATING	IK03
DIMENSION	8W: L94mm x W94 x H117mm 12W: L94mm x W94 x H134mm	FIXTURE MATERIAL	Housing: Die-Cast Aluminum
CEILING THICKNESS RANGE	5-20mm	STANDARD FINISH	White / Black
RECESSED DEPTH REQUIRED	8W:167mm 12W:184mm	PACKAGE	mm pcs/ctn
ADJUSTABILITY	Cardan	WEIGHT	kg/pc kgs/ctn
REFLECTOR	White/Black	OPTIONAL ACCESSORIES	Trimless mounted kit/Trim with spring

ELECTRIC / PHOTOMETRIC DATA

LIGHT SOURCE	CITIZEN		CHROMATICITY TOLERANCE	SDCM≤3
LED CURRENT	250mA	350mA	COLOR RENDITION INDEX	Ra ≥ 80/Ra ≥ 90 R9≥50
LED VOLTAGE	31V	31V	COLOR TEMPERATURE	2700k 3000K 4000k
LED POWER	7.7W	10.8W	BEAM ANGLE	15° / 24° / 40°
SYSTEM POWER	8W	12W	DIMMING OPTION(S)	DALI/1-10V/TRIAC/ Bluetooth/NON
LED LUMINOUS FLUX			CERTIFICATION	CB, CE, CCC, SAA, ROHS
LUMINAIRE LUMINOUS FLUX ±10% (3000K CRI 90)	636-671LM	825-878LM	POWER FACTOR	0.9
LUMINAIRE LUMINOUS FLUX ±10% (2700K CRI 90)	543-638LM	756-813LM	UGR	<13
SYSTEM EFFICACY (3000K CRI 90)	83 LM/W	73 LM/W	DRIVER OPTION(S)	EAGLERISE/EUCHIPS/TRIDONIC/ OSRAM/TCI/MEANWELL/L-TECH